

## MAKE YOUR OWN BOX TOPS COLLECTION CONTAINER

### It's easy...here's what you need:

Scissors or craft knife (make sure children are supervised when using cutting tools!)

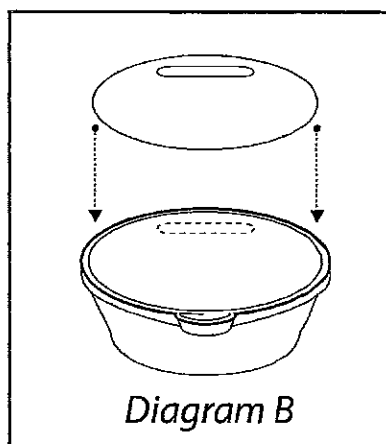
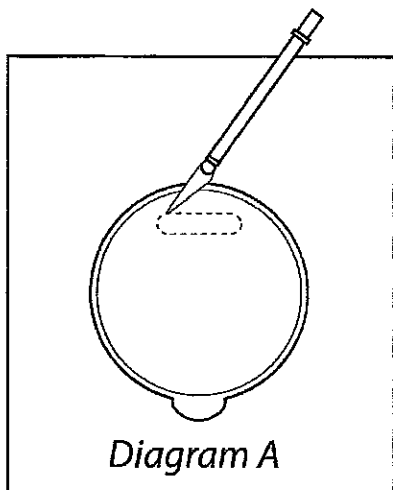
Gluestick (white school glue or tape will work, too)

Crayons or markers

1 round Ziploc® Brand Snap'n Seal Container, size small (14 oz.)

### Directions:

1. Print out the collection project designs.
2. Have your child color and decorate the designs. If you wish, you can write your name and/or your school's name on the designs, too.
3. Then, pick one of the 4 circular designs and cut it out.
4. Cut out the "Date" oval on the cover of the Ziploc® Brand Snap'n Seal Container (See Diagram A), to create a slot.
5. Cut out the corresponding slot on the circular design.
6. Glue or tape the design to the top of the Ziploc® Container, so the slots line up (See Diagram B).
7. Collect your Box Tops in this container – it's a great way to keep track of them all! When it's full, you can bring them to your school to be submitted.



**Earnings tip:** Make several of these containers and give them to friends and family, or bring them to work. Don't forget to label the design with your name and school. It's a great way to remind everyone to clip Box Tops...and the more you collect, the more your school can earn!

